

SMART BULLET®

LED FLOODLIGHT + SENSOR



Combine the best LED with the best sensor.
Get one Smart Bullet®.

SMSBULLET2X12

RAB®
LIGHTING
RABWEB.COM • 888-722-1000

SMSBULLET2X12

- Sensor with 180° detection pattern at up to 30 ft.
- Time settings from 5 seconds to 15 minutes
- Adjustable photo and motion sensitivity
- Manual sensor override disables motion detection
- Professional-grade design with adjustable heads
- 10-Year warranty on full fixture & sensor assembly
- 100,000-Hour LED Lifespan

Ordering Information

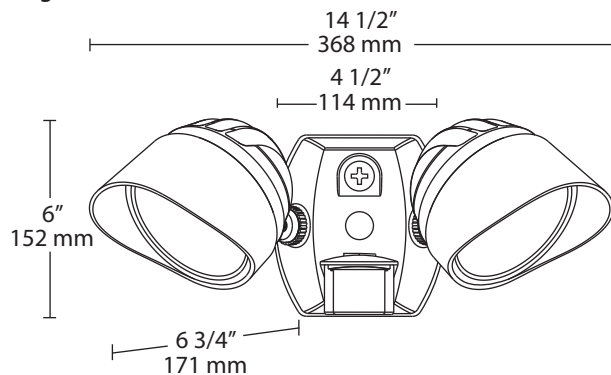
SMSBULLET2X12NA - Neutral light, Bronze finish

SMSBULLET2X12NW - Neutral light, White finish

Dimensions & Weight

SMSBULLET2x12

Weight: 7 lbs.



RAB[®]
LIGHTING
RABWEB.COM • 888-722-1000

Specifications

FLOODLIGHTS

UL Listing: Suitable for wet locations, wall mount only

LEDs: Multi-chip, high-output, long-life LEDs

Lifespan: 100,000-Hour LED Lifespan based on IES LM-80 results and TM-21 calculation

BULLET2X12:

Nominal Watts @120V 12W

Input Watts 26

Output Lumens 1914

Lumens Per Watt 74

Color Accuracy (CRI) 84

Color Temperature (CCT) 4000K

Thermal Management: Superior heat sinking with external Air-Flow fins

Housing: Die-cast aluminum housing, lens frame & mounting plate

Reflector: Semi-specular, vacuum-metalized polycarbonate

Lens: Microprismatic diffusion lens for smooth and even light distribution

Mounting: Heavy-duty mounting arm with "O" ring seal & stainless steel screws

Gaskets: High-temperature silicone gaskets

Finish: Our environmentally friendly polyester powder coatings are formulated for high-durability and long-lasting color, and contain no VOC or toxic heavy metals.

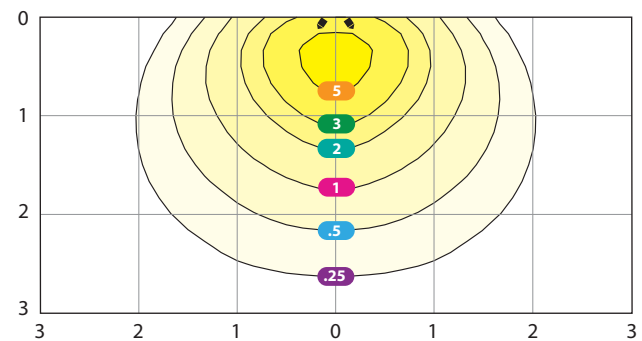
Color Uniformity: RAB's range of CCT (Correlated Color Temperature) follows the guidelines of the American National Standard for Specifications for the Chromaticity of Solid State Lighting (SSL) Products, ANSI C78.377-2011.

Color Stability: RAB LEDs exceed industry standards for chromatic stability

Photometrics & Detection Pattern

SMSBULLET2X12 Mounted at 10 ft.

Bullets aimed 45° below horizontal, 30° either side of center



Multiples of Mounting Height • Values Shown in Footcandles
Photometric Report #ITL80692

Green Technology: Mercury and UV free, and RoHS compliant. Polyester powder coat finish formulated without the use of VOC or toxic heavy metals.

IESNA LM-79 & LM-80 Testing: RAB LED luminaires have been tested by an independent laboratory in accordance with IESNA LM-79 and LM-80, and have received the Department of Energy "Lighting Facts" label.

California Title 24: SMSBULLET2x12 complies with 2013 California Title 24 building and electrical codes as a residential outdoor lighting fixture and as a commercial outdoor non-pole-mounted fixture < 30 Watts.

SENSOR

Switching Capacity: 500 Watts of LED BULLET12 floods

Voltage: 120VAC, 60 Hz.

Sensor Power Consumption (when idle): 1 Watt

Time Adjustment: 5 seconds to 15 minutes

Sensor LED: Sensor indicator LED glows red day & night for "on guard" deterrence

Surge Protection: Withstands up to 3000 Volts

"No Hands" Auto Testing: Auto mode starts after 4 minutes of testing. No adjustment needed.

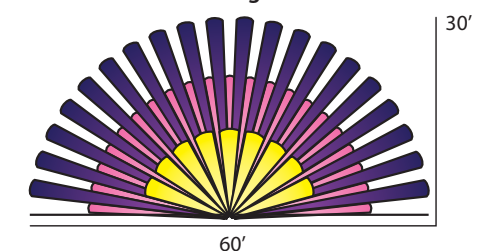
Manual Override: Double flip wall switch logic prevents activation by momentary power outages. Override resets to auto at dawn. No extra wiring needed. 8-hour reset.

RF Immunity: Circuits fully shielded for maximum radio frequency immunity

Photoelectric Control: Deactivates lights during daylight. Fully adjustable for 24-hour operation or custom applications.

Adjustments: Time, ambient light & sensitivity

SMS500 - 180° coverage



Side View - Double Look Down Lens

